

# Part No:LCSJ-DC/6-10W

## Integrated Attenuator

### Attenuator



#### Specifications

Item	Specification
Frequency range	DC ~ 6GHz
Impedance (Nominal)	50Ω
Power rating	10Watt@25°C
Attenuation	26 dB/max
V.S.W.R (Max)	1.25
Accuracy:	±1dB
dimension	9*4mm
Temperature Range	-55°C~ 85°C
Weight	0.1g

#### Precautions for use

1	Storage cycle: The storage period of newly purchased components exceeds 6 months, Solderability should be paid attention to before use. It is recommended to store after vacuum packaging.
2	manual welding of the lead end should be used $\leq 350^{\circ}\text{C}$ constant temperature cautery Iron, welding time is controlled within 5 seconds.
3	in order to meet the derating curve, it needs to be installed in a large enough dispersion On the heater. Flange and radiator should be in close contact with the contact surface Thermal conductive material filling. Add air cooling or water cooling if necessary.

#### Mechanical Specifications

成都利德尔科技有限公司 ChengDu Leader Microwave Technology Co.,Ltd

电话: 028-65199117 传真: 028-65199116

<http://www.leader-mw.com> Leader-mw@hotmail.com

TEL: +86-28-65199117 FAX: +86-28-65199116

Add: 中国 成都市成华区华翰路 89 号 610000

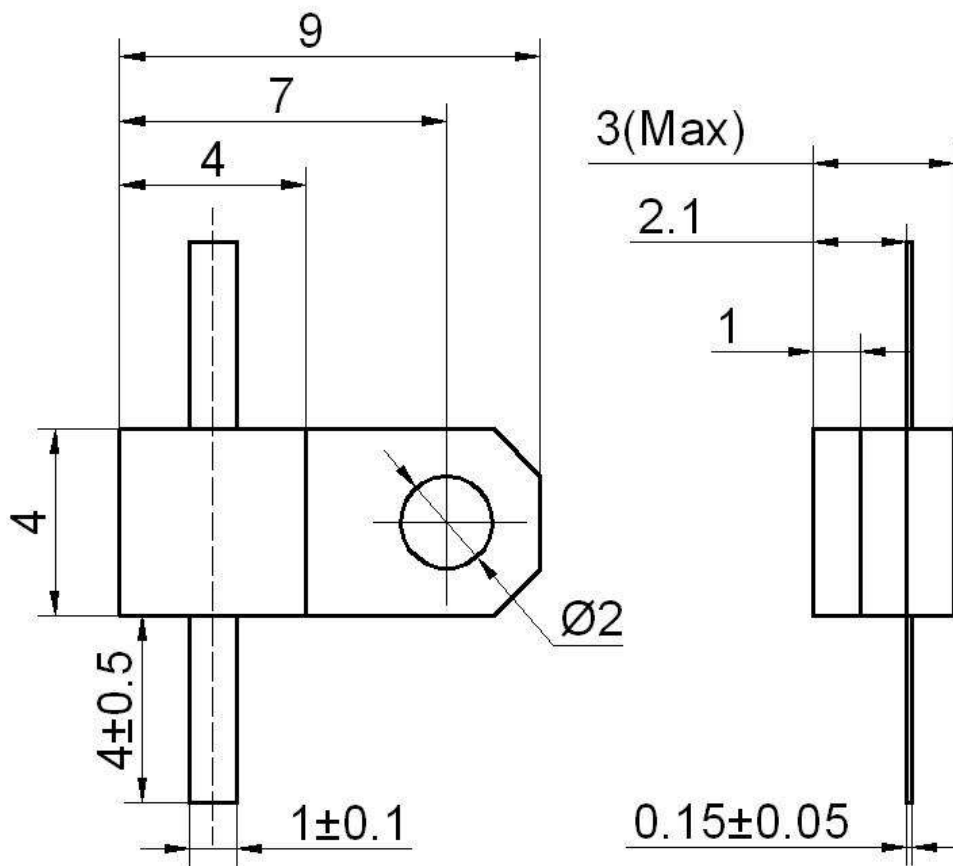
No.89,Huahan Road, chenghua Zone Chengdu, Sichuan China Zip Code:610000

Substrate material:	BeO
Outline drawing	

All Dimensions in mm

All Connectors:

Tolerance :  $\pm 0.3\text{MM}$



Precautions for use

成都利德尔科技有限公司 ChengDu Leader Microwave Technology Co.,Ltd

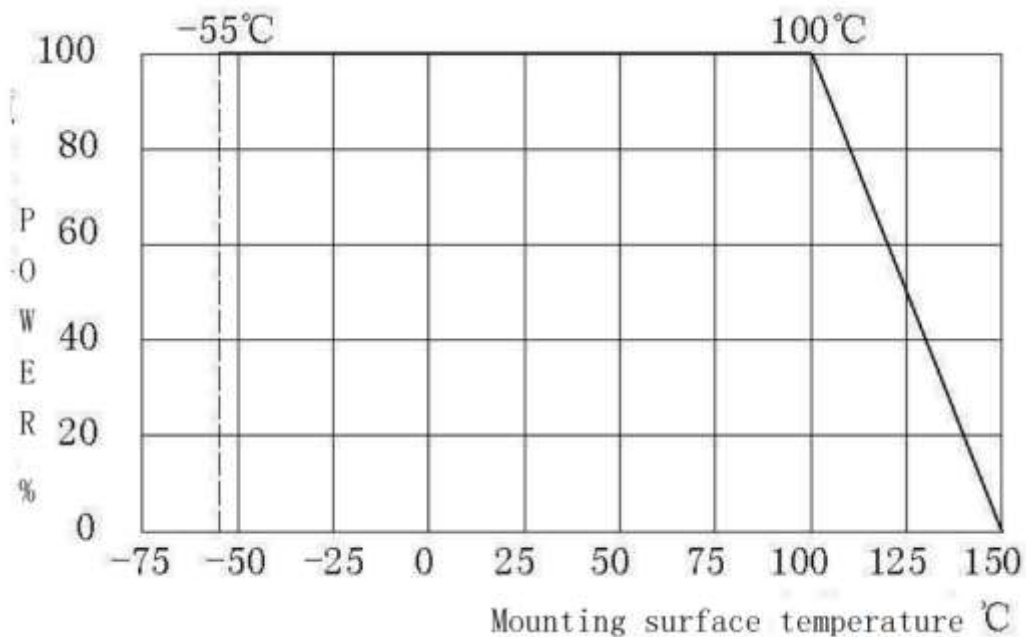
电话: 028-65199117 传真: 028-65199116

<http://www.leader-mw.com> Leader-mw@hotmail.com

TEL: +86-28-65199117 FAX: +86-28-65199116

Add: 中国 成都市成华区华翰路 89 号 610000

No.89,Huahan Road, chenghua Zone Chengdu, Sichuan China Zip Code:610000



成都利德尔科技有限公司 ChengDu Leader Microwave Technology Co.,Ltd

电话: 028-65199117 传真: 028-65199116

http://www.leader-mw.com Leader-mw@hotmail.com

TEL: +86-28-65199117 FAX: +86-28-65199116

Add:中国 成都市成华区华翰路 89 号 610000

No.89,Huahan Road, chenghua Zone Chengdu, Sichuan China Zip Code:610000